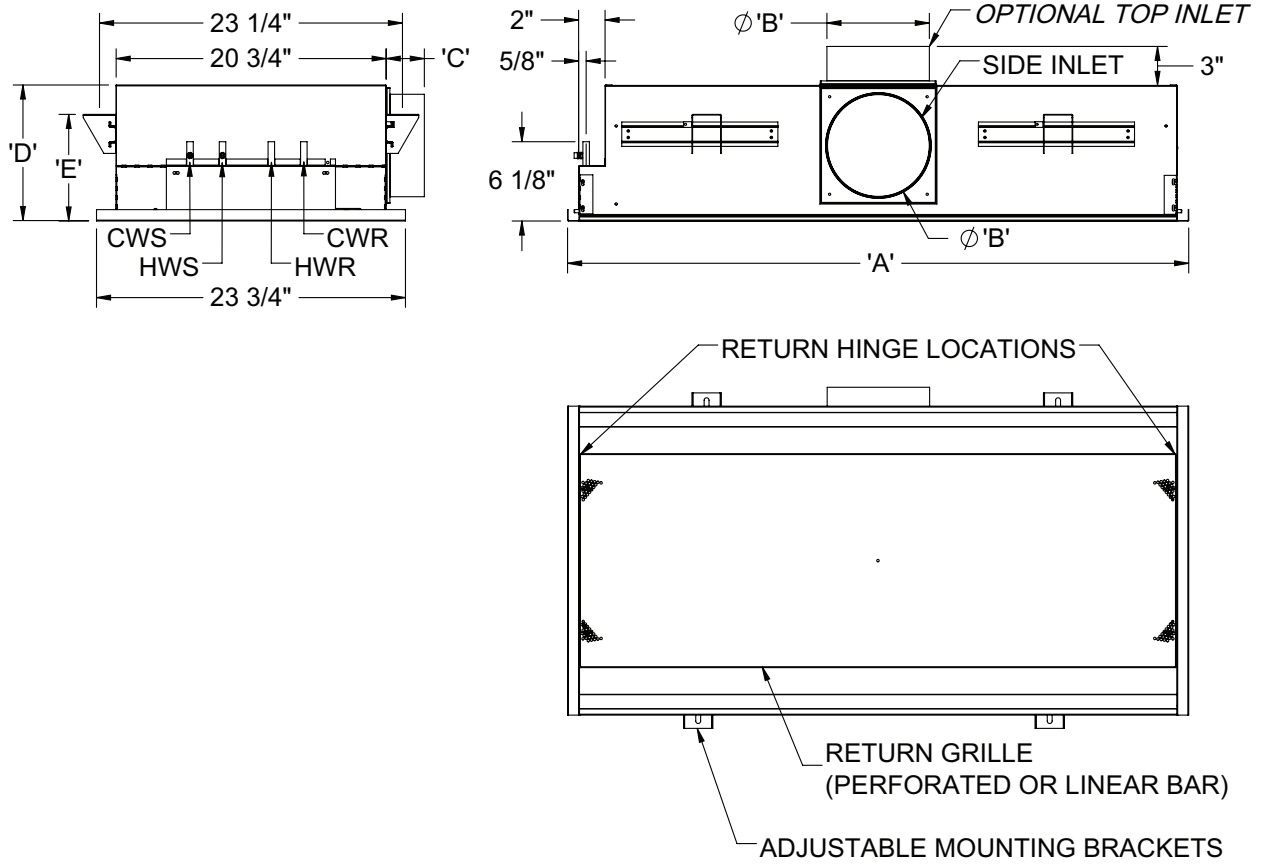


CBAL-24" UNIT DIMENSIONS



| Nominal Unit Length (ft) | 'A' (IN) |
|--------------------------|---------------------------------|
| 2 | 23 ³ / ₄ |
| 3 | 35 ³ / ₄ |
| 4 | 47 ³ / ₄ |
| 5 | 59 ³ / ₄ |
| 6 | 71 ³ / ₄ |
| 7 | 83 ³ / ₄ |
| 8 | 95 ³ / ₄ |
| 9 | 107 ³ / ₄ |
| 10 | 119 ³ / ₄ |

| Nominal Inlet Dia. (ft) | 'B' (IN) | 'C' (IN) | 'D' (IN) | 'E' (IN) |
|-------------------------|-------------------------------|----------|--------------------------------|-------------------------------|
| 5 | 4 ⁷ / ₈ | 3 | 8 ³ / ₈ | 6 ¹ / ₄ |
| 6 | 5 ⁷ / ₈ | 3 | 8 ³ / ₈ | 6 ¹ / ₄ |
| 8 | 7 ⁷ / ₈ | 3 | 10 ³ / ₈ | 8 ¹ / ₄ |
| 8** | 7 ⁷ / ₈ | -- | 8 ³ / ₈ | 6 ¹ / ₄ |

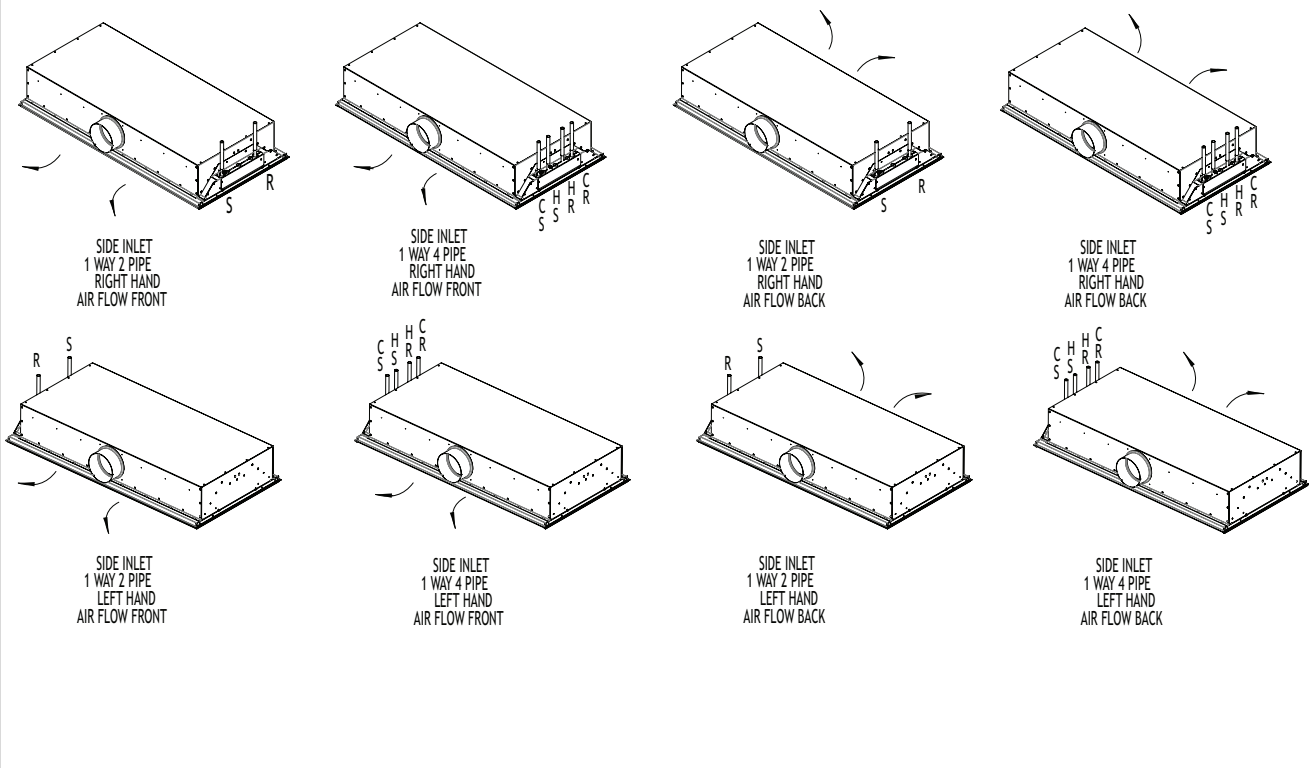
*Side Inlet Only

**Top Inlet Only

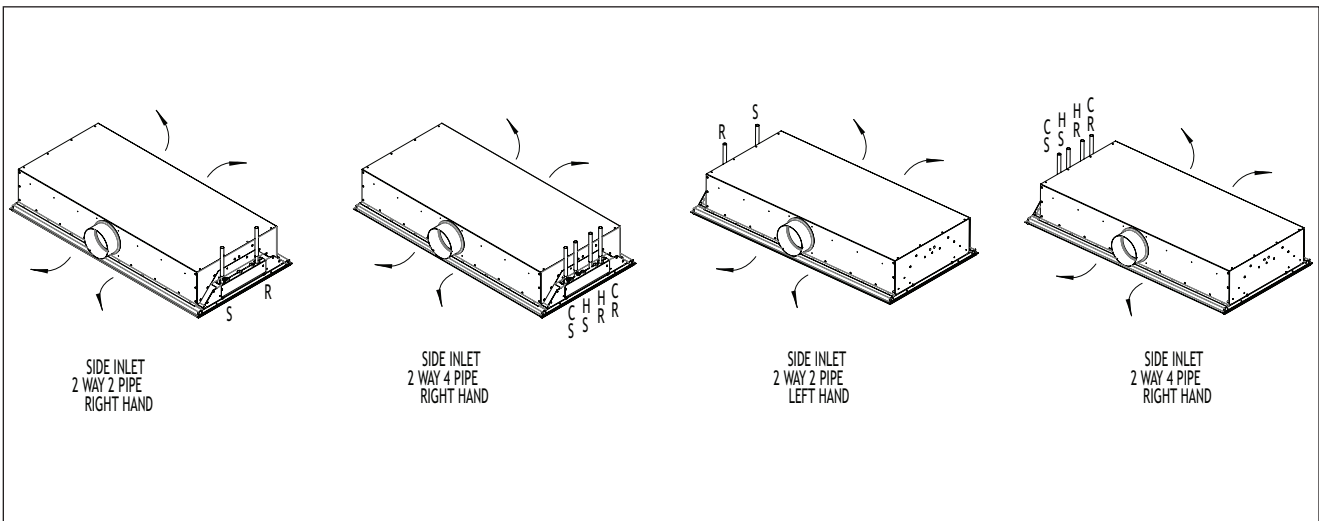
Integrated 1/4" pressure port for balancing/commissioning accessible from roomside opposite coil connection

CBAL-24" CASING ARRANGEMENTS / SIDE INLET 1-WAY

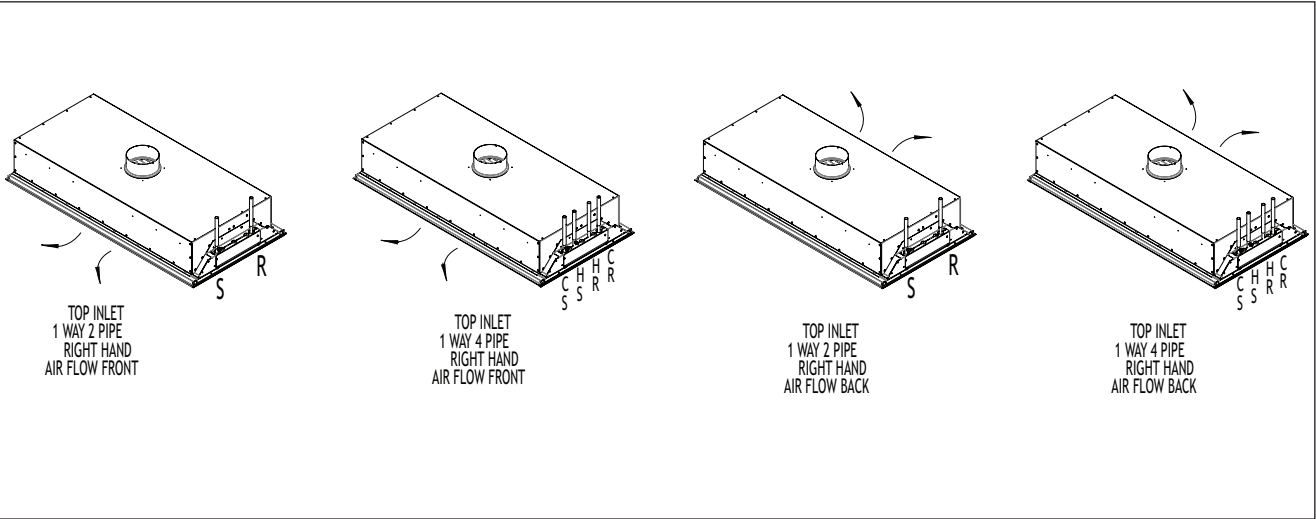
24 INCHES CASING ARRANGEMENTS



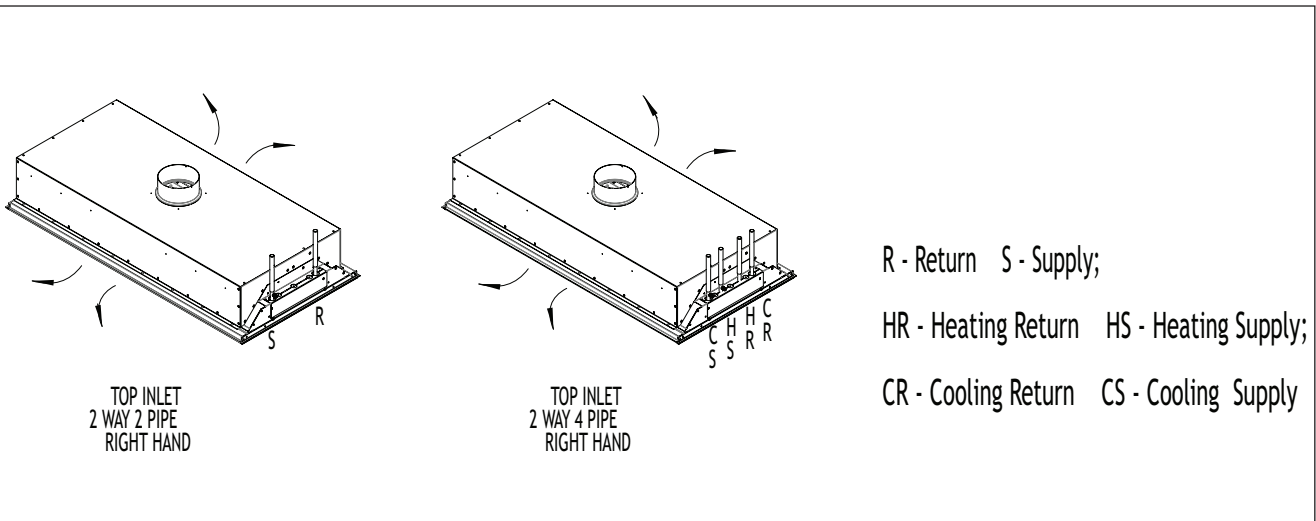
CBAL-24" CASING ARRANGEMENTS / SIDE INLET 2-WAY



CBAL-24" CASING ARRANGEMENTS / TOP INLET 1-WAY



CBAL-24" CASING ARRANGEMENTS / TOP INLET 2-WAY



R - Return S - Supply;
 HR - Heating Return HS - Heating Supply;
 CR - Cooling Return CS - Cooling Supply